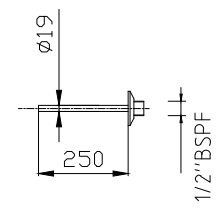
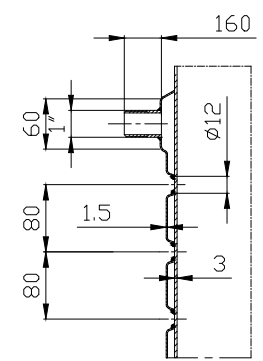


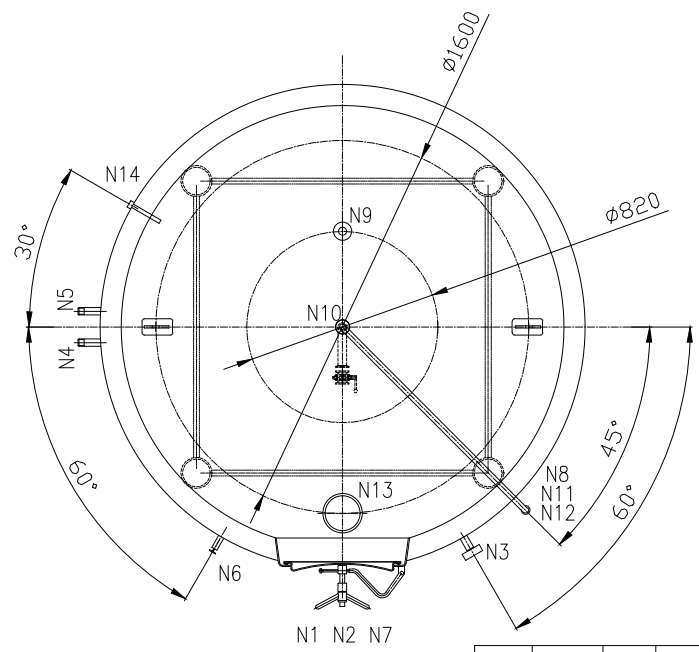
Technique parameter		
	inner tank	jacket
material	SUS304	SUS304
cooling area m ²	9.2	
total volume	8000L	



temperature sensor tube

Specification

symbol	spec	connecting style	name
N1	1.5"	Tri-clamp	outlet
N2	1.5"	Tri-clamp	outlet
N3	1 1/4"	Tri-clamp	Thermometer hole
N4	1"	BSPF	water inlet
N5	1"	BSPF	water outlet
N6	1"	Tri-clamp	sample hole
N7	445x345	quick-opened	man hole
N8	1.5"	Tri-clamp	cleaning hole
N9	1.5"	Tri-clamp	relief valve
N10	2.5"	Tri-clamp	cleaning pipe inlet
N11	1.5"	Tri-clamp	breath hole
N12	1.5"	Tri-clamp	pressure gauge
N13	4"	Tri-clamp	yeast inlet
N14	1/2"	female screw	thermowell



design		drawing name	8000L		drawing NO.	
drawing			Fermentation tank			weight(kg)
auditing					proportion	quantity
check						