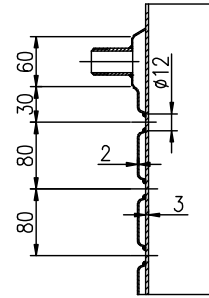
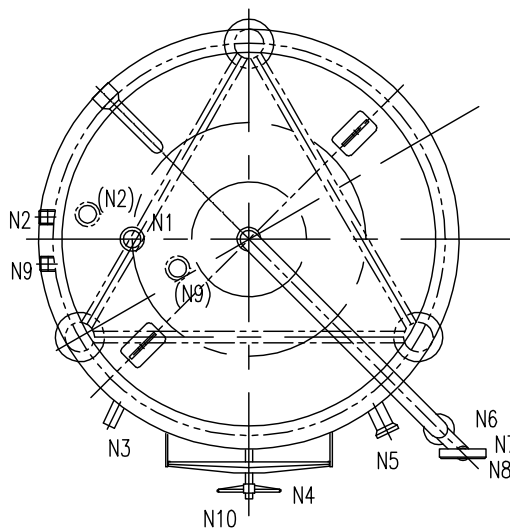


Technique parameter		
	inner tank	jacket
inner tank	liquid	cooling water
material	SUS304	SUS304
working pressure MPa	ATM	ATM
heating area m <sup>2</sup>	1.6	
total volume L	500	



- 1.The inner surface polished to Ra < 0.22um.
- 2.Outer surface adapts high accuracy sousbrillant
- 3.Inside of equipment treat with Acid cleaning passivation
- 4.Nozzle position by vertical view.



### Specification

Symbol	Spec	Connecting style	Usage
N1	ø51	Quick-installed	relief valve
N2	1"	Female screw	cooling medium outlet
N3	M27x2	Female screw	thermometer hole
N4	ø440X330	Quick-open	man hole
N5	DN15	Quick-installed	sample hole
N6	M20x1.5	Female screw	pressure hole
N7	1"	Quick-installed	vent hole
N8	ø32	Quick-installed	cleaning hole
N9	1"	Female screw	cooling medium inlet
N10	ø32	Quick-installed	outlet
N11	M12X1	Female screw	thermometer

NO.	Figure number or standard number	Name	quantity	Material	Remark
6		Heads	2	SUS304	
5		inner tank	1	SUS304	
4		Cladding	1	SUS304	
3		Insulation	1	PU	
2		Jacket	1	SUS304	
1		legs	3	SUS304	

responsibility	sign	date	500L Fermentation Tank		General chart	
design			proportion		1:15	
drawing						
auditing						
check			quantity	material		