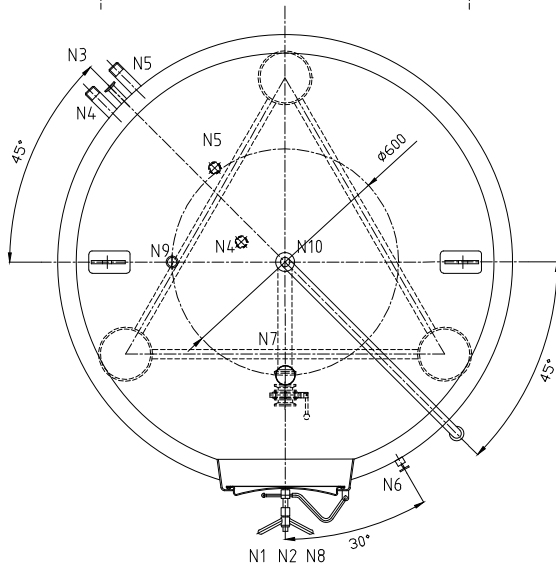
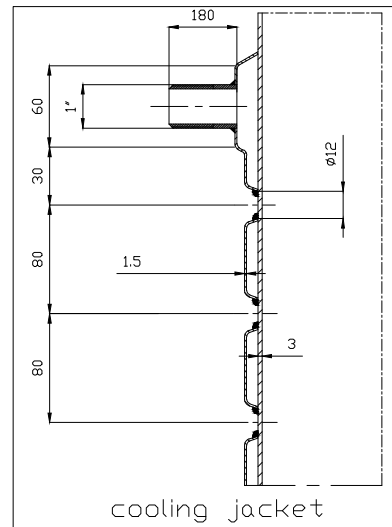


Technique Parmeter		
	inner tank	jacket
material	304	304
cooling area	2.4 m ²	
total volume	1084L	



Specification

N10	cleaning hole	1.5"	tri-clamp
N9	relief hole	1.5"	tri-clamp
N8	man hole	445X345	quick-opened
N7	inlet hole	2"	tri-clamp
N6	sample hole	1"	tri-clamp
N5	water outlet	3/4"	BSPM
N4	water inlet	3/4"	BSPM
N3	thermometer hole	3/4"	BSPF
N2	outlet	2.5"	tri-clamp
N1	outlet	1.5"	tri-clamp
symbol	name	spec	connecting style

design		scale		1084L fermenter
auditing		weight(kg)		
check				
drawing.NO				